

## MaxGard® Interconnection Systems

### 30 Amp Reverse Service

\*\* If receptacle is desired with a Straight Adapter instead of standard Angle Adapter, substitute "S" for the "A" in the catalog number of the Receptacle with Angle Adapter or Adapter and Box.

† Standard cable bushings shown; see **page 34** for other sizes available at no extra cost if specified on order.

†† Always furnished with screw collar. We recommend cup cap with male plug; order catalog number DS3CC.

Maximum lug wire 4 AWG 7-strand or flexible, cable entrance .187" diameter.

Receptacles furnished with flap cap also have screw thread to accept male collar on plug.

Catalog numbers shown are for flap cap receptacles; change "DF" to "DS" for ordering screw cap.

**Boldface** figures are for voltage assignment. For different ratings, see **page 40**.

Outlet furnished at location "B" unless otherwise specified. 1" NPT.

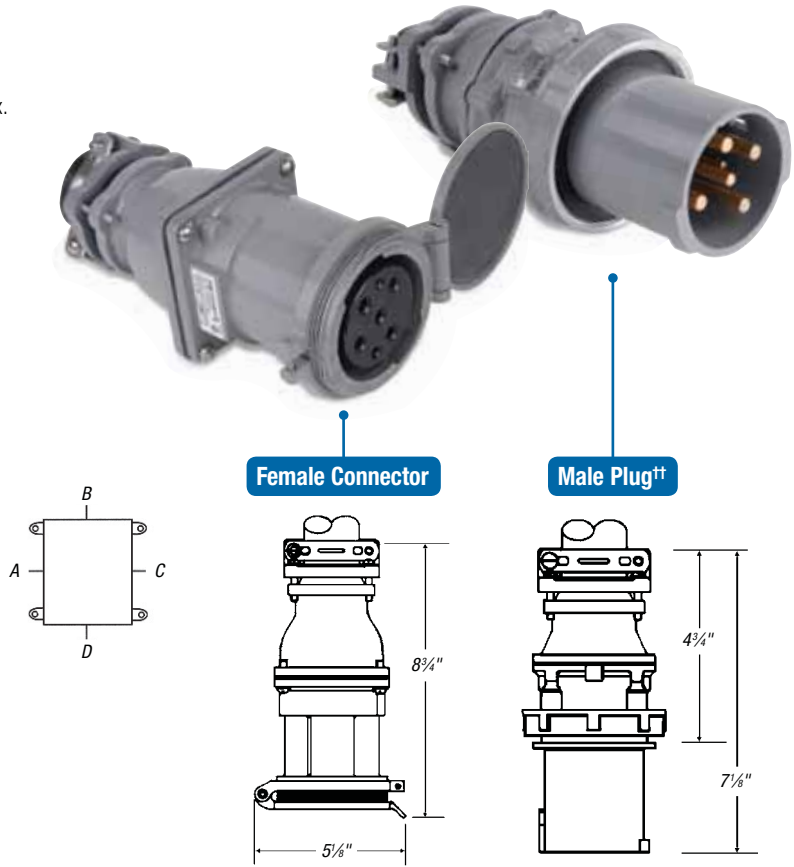
▼ **Control contacts for plug/receptacles:**  
Use "K" where noted. Ex: DS3104MR00K

For Adapters, Junction Boxes and Accessories, see **pages 34–37**.

### Device Ratings and Polarizations

Maximum 600VAC or 250VDC

(For full polarization, see **page 40**)



POLE	WIRE	CONDUCTOR PLACEMENT	VOLTAGE 60 HZ	CAT. NO.	STANDARD BUSHING I.D.†	CAT. NO.	STANDARD BUSHING I.D.†
2	3		277	<b>DF3104FP000</b>	7/8"	<b>DS3104MP000</b>	7/8"
			125	<b>DF3107FP000</b>		<b>DS3107MP000</b>	
2	3		480	<b>DF3204FP000</b>	7/8"	<b>DS3204MP000</b>	7/8"
			250	<b>DF3207FP000</b>		<b>DS3207MP000</b>	
			600	<b>DF3214FP000</b>		<b>DS3214MP000</b>	
			208	<b>DF3216FP000</b>		<b>DS3216MP000</b>	
3	4		277/480	<b>DF3304FP000</b>	1"	<b>DS3304MP000</b>	1"
			125/250	<b>DF3307FP000</b>		<b>DS3307MP000</b>	
			120/208	<b>DF3316FP000</b>		<b>DS3316MP000</b>	
3	4		3Ø 480	<b>DF3404FP000</b>	1"	<b>DS3404MP000</b>	1"
			3Ø 250	<b>DF3407FP000</b>		<b>DS3407MP000</b>	
			3Ø 600	<b>DF3414FP000</b>		<b>DS3414MP000</b>	
			3Ø 208	<b>DF3416FP000</b>		<b>DS3416MP000</b>	
			3Ø 440	<b>DF3421FP000</b>		<b>DS3421MP000</b>	
4	5		3ØY 277/480	<b>DF3504FP000</b>	1 1/16"	<b>DS3504MP000</b>	1 1/16"
			3ØY 347/600	<b>DF3514FP000</b>		<b>DS3514MP000</b>	
			3ØY 120/208	<b>DF3516FP000</b>		<b>DS3516MP000</b>	
			3ØY 250/440	<b>DF3521FP000</b>		<b>DS3521MP000</b>	

## MaxGard® Interconnection Systems



Male Inlet with Angle Enclosure



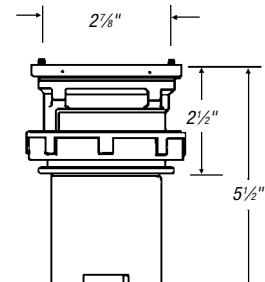
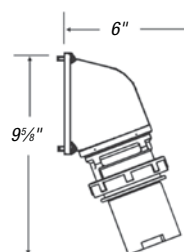
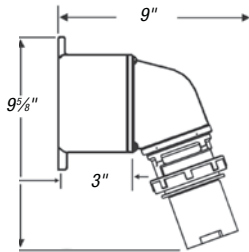
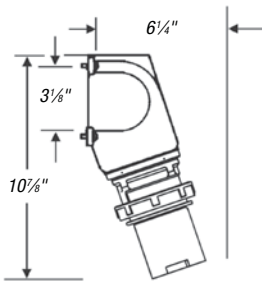
Male Inlet with Angle Adapter\*\* and Junction Box



Male Inlet with Angle Adapter\*\*



Male Inlet††



CAT. NO.	CAT. NO.	CAT. NO.	CAT. NO.
DS3104MR0E0	DS3104MRAB0	DS3104MRA00	DS3104MR000
DS3107MR0E0	DS3107MRAB0	DS3107MRA00	DS3107MR000
DS3204MR0E0	DS3204MRAB0	DS3204MRA00	DS3204MR000
DS3207MR0E0	DS3207MRAB0	DS3207MRA00	DS3207MR000
DS3214MR0E0	DS3214MRAB0	DS3214MRA00	DS3214MR000
DS3216MR0E0	DS3216MRAB0	DS3216MRA00	DS3216MR000
DS3304MR0E0	DS3304MRAB0	DS3304MRA00	DS3304MR000
DS3307MR0E0	DS3307MRAB0	DS3307MRA00	DS3307MR000
DS3316MR0E0	DS3316MRAB0	DS3316MRA00	DS3316MR000
DS3404MR0E0	DS3404MRAB0	DS3404MRA00	DS3404MR000
DS3407MR0E0	DS3407MRAB0	DS3407MRA00	DS3407MR000
DS3414MR0E0	DS3414MRAB0	DS3414MRA00	DS3414MR000
DS3416MR0E0	DS3416MRAB0	DS3416MRA00	DS3416MR000
DS3421MR0E0	DS3421MRAB0	DS3421MRA00	DS3421MR000
DS3504MR0E0	DS3504MRAB0	DS3504MRA00	DS3504MR000
DS3514MR0E0	DS3514MRAB0	DS3514MRA00	DS3514MR000
DS3516MR0E0	DS3516MRAB0	DS3516MRA00	DS3516MR000
DS3521MR0E0	DS3521MRAB0	DS3521MRA00	DS3521MR000